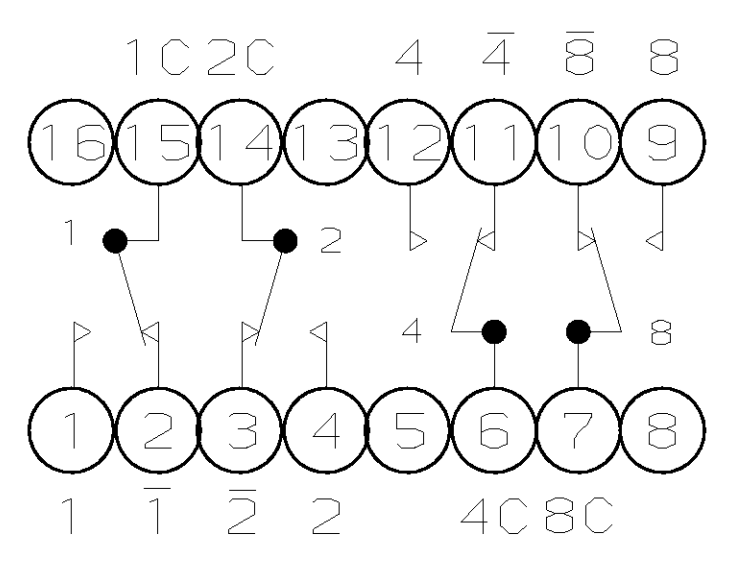
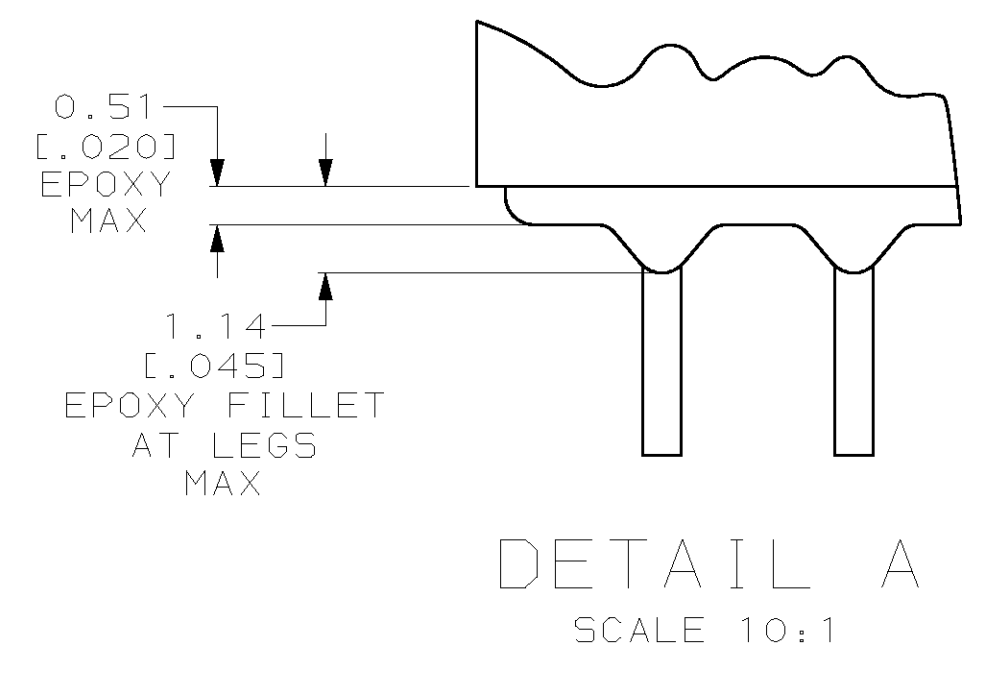


LOC	DIST	REVISIONS			
TR	LYR	DESCRIPTION	DATE	DWN	APVD
AG	1	REDRAWN ON CAD PER 0330-0026-96	1-8-97	WS	JR
AH		REV PER EC 063C-0381-01	02MAY02	MB	HW

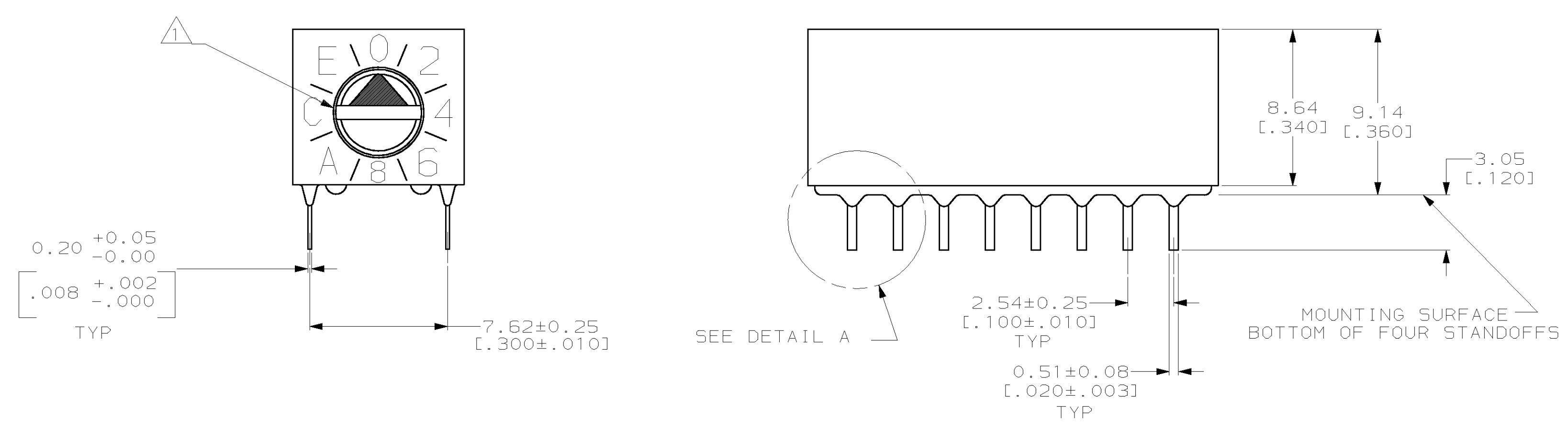
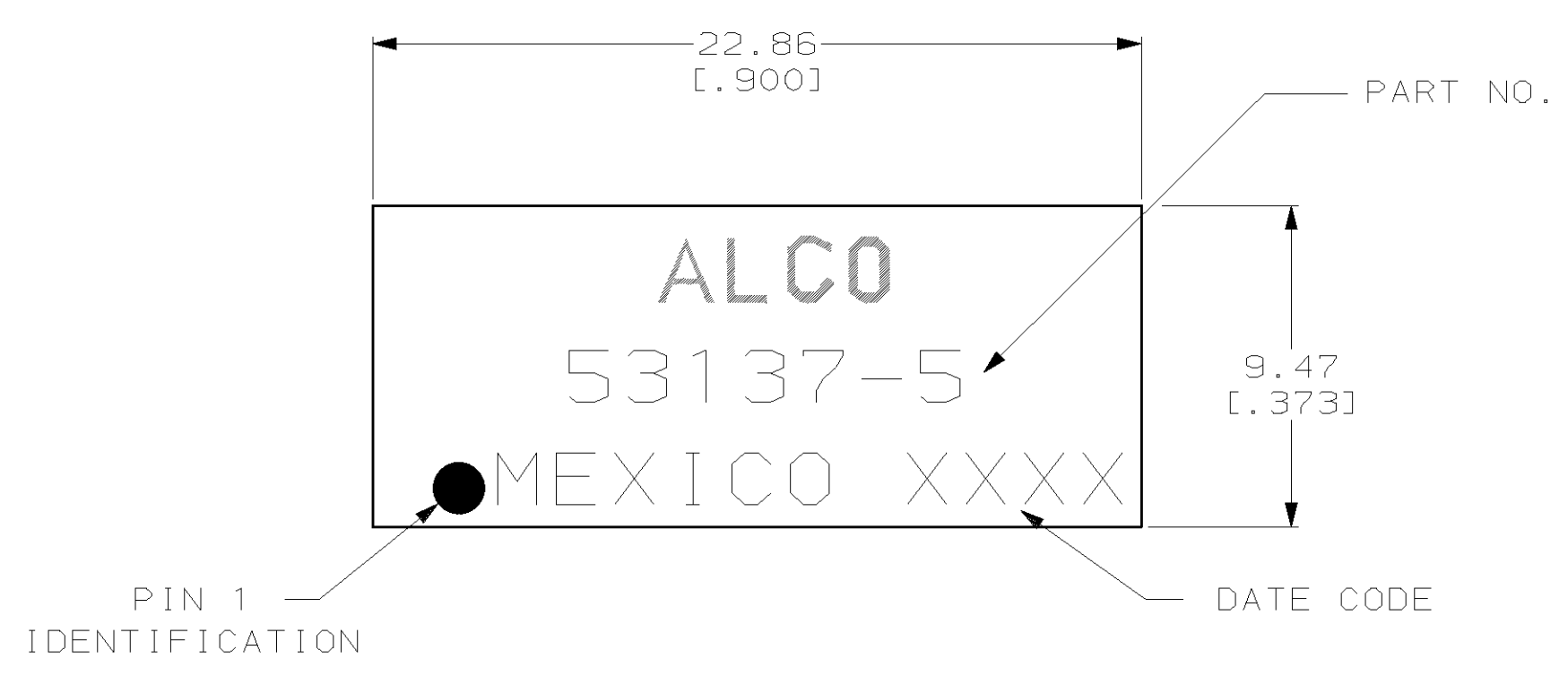


SCHEMATIC  
(POSITION 0)

- △ SLOT FOR SCREWDRIVER ACTUATION.
- 2. FOR ADDITIONAL SPECIFICATIONS SEE AMP PRODUCT SPEC 108-7066 AND INSTRUCTION SHEET 6811.
- 3. SWITCH BOTTOM IS SEALED.
- △ CONTACT FINISH TO BE 0.00076 [.000030] GOLD OVER NICKEL.
- △ MATERIAL:  
HOUSING : BLACK POLYESTER  
CONTACTS : BERYLLIUM COPPER.

		POSITION															
		0	1	2	3	4	5	6	7	8	9	A	B	C	D	E	F
COMMON TO	1		●		●		●		●		●		●		●		●
	2			●	●			●	●			●	●			●	●
	4					●	●	●	●				●	●	●	●	●
	8									●	●	●	●	●	●	●	●
	1	●		●		●		●		●		●		●		●	
	2	●	●			●	●			●	●			●	●		
	4	●	●	●	●					●	●	●	●				
	8	●	●	●	●	●	●	●									

HEXADECIMAL: WITH COMPLEMENT



53137-5  
PART NUMBER

DIMENSIONS (mm [INCHES])		TOLERANCES UNLESS OTHERWISE SPECIFIED		DWN	
0 PLC	±-	1 PLC	±-	M. SORAH	1-8-97
1 PLC	±-	2 PLC	±0.30 [.0123]	CHK	R. TALLEY 1-8-97
2 PLC	±-	3 PLC	±-	APVD	J. ROBB 1-8-97
3 PLC	±-	4 PLC	±-	PRODUCT SPEC	
4 PLC	±-	ANGLES	±-	APPLICATION SPEC	
MATERIAL	△	FINISH	△	WEIGHT	
CUSTOMER DRAWING				SCALE	5:1

NAME	AMP Incorporated Harrisburg, PA 17105-3608	
SIZE	CAGE CODE	DRAWING NO
A1	00779	53137-5
SHEET 1 OF 1 REV AH		